

by Giorgio Cangini



Brochure
4.2
version







 **Plury**[®]



 sheetPile
Fix



 **TORNADO**



VORTEX



ROLLER VRM





Plury[®]

A single machine
**COMPACTS,
INFIX,
PRE-DRILLS
AND CUTS.**

Vibration drive

Available in different tons.

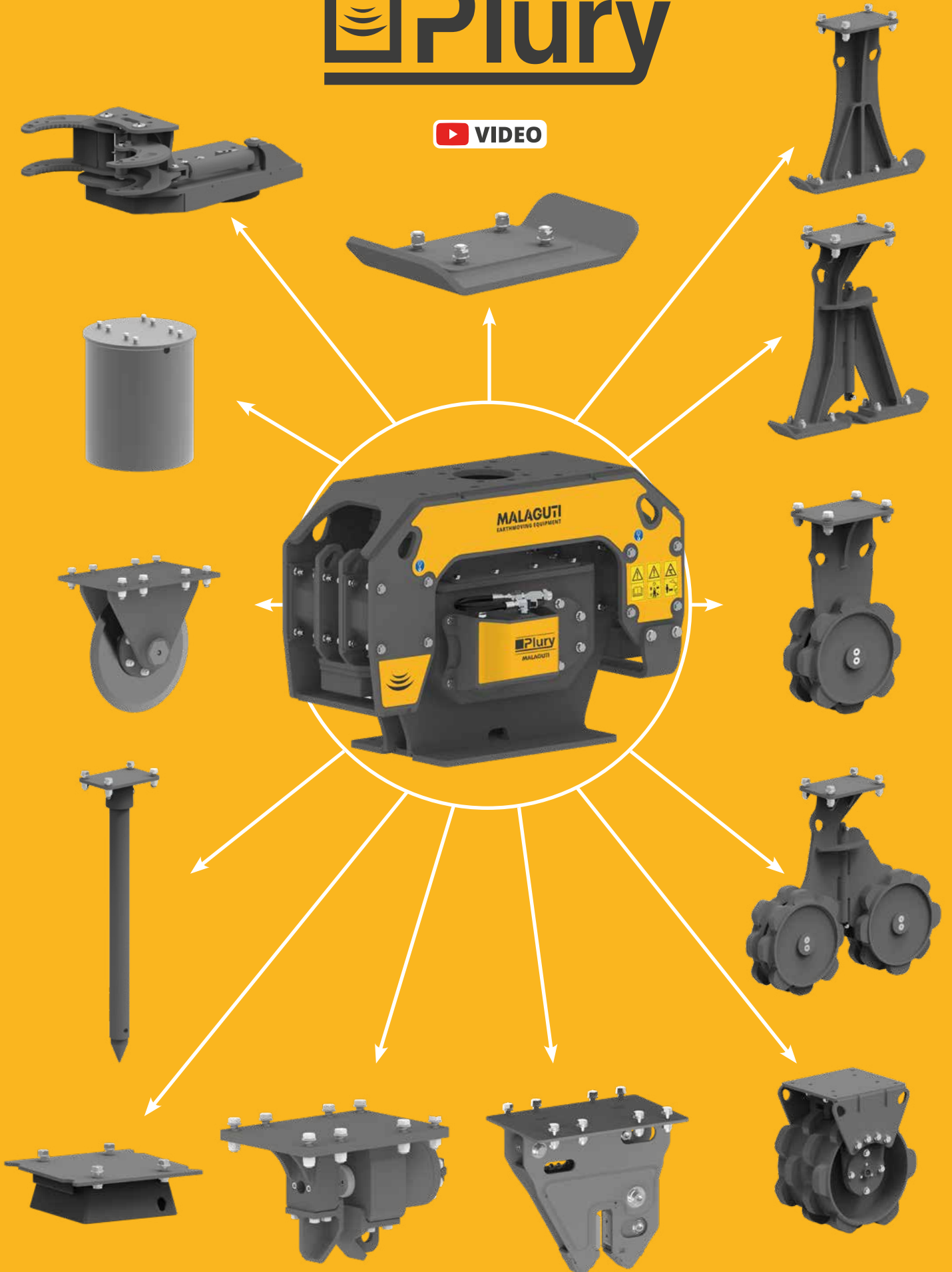
Wide range of accessories

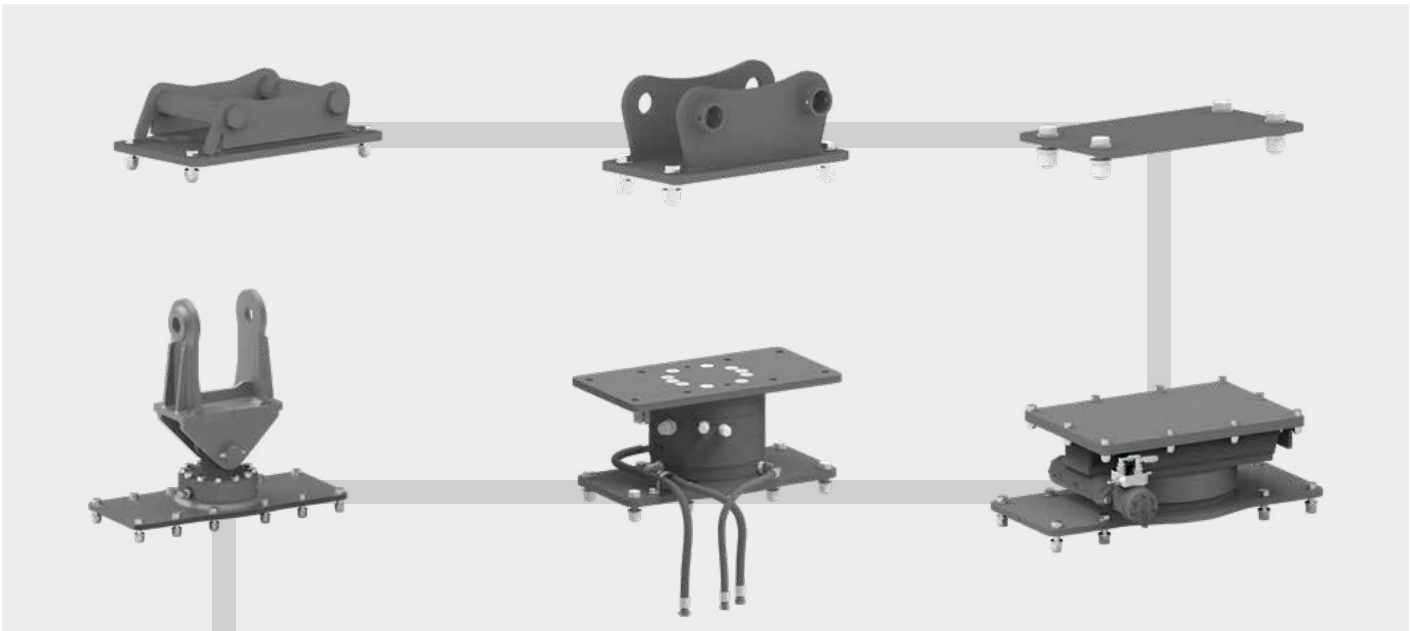
Wide range of accessories
Our accessories allow you to compact, pre-drill, and vibrate piles and sheet piles into various types of soil, all with a single machine.

Versatile

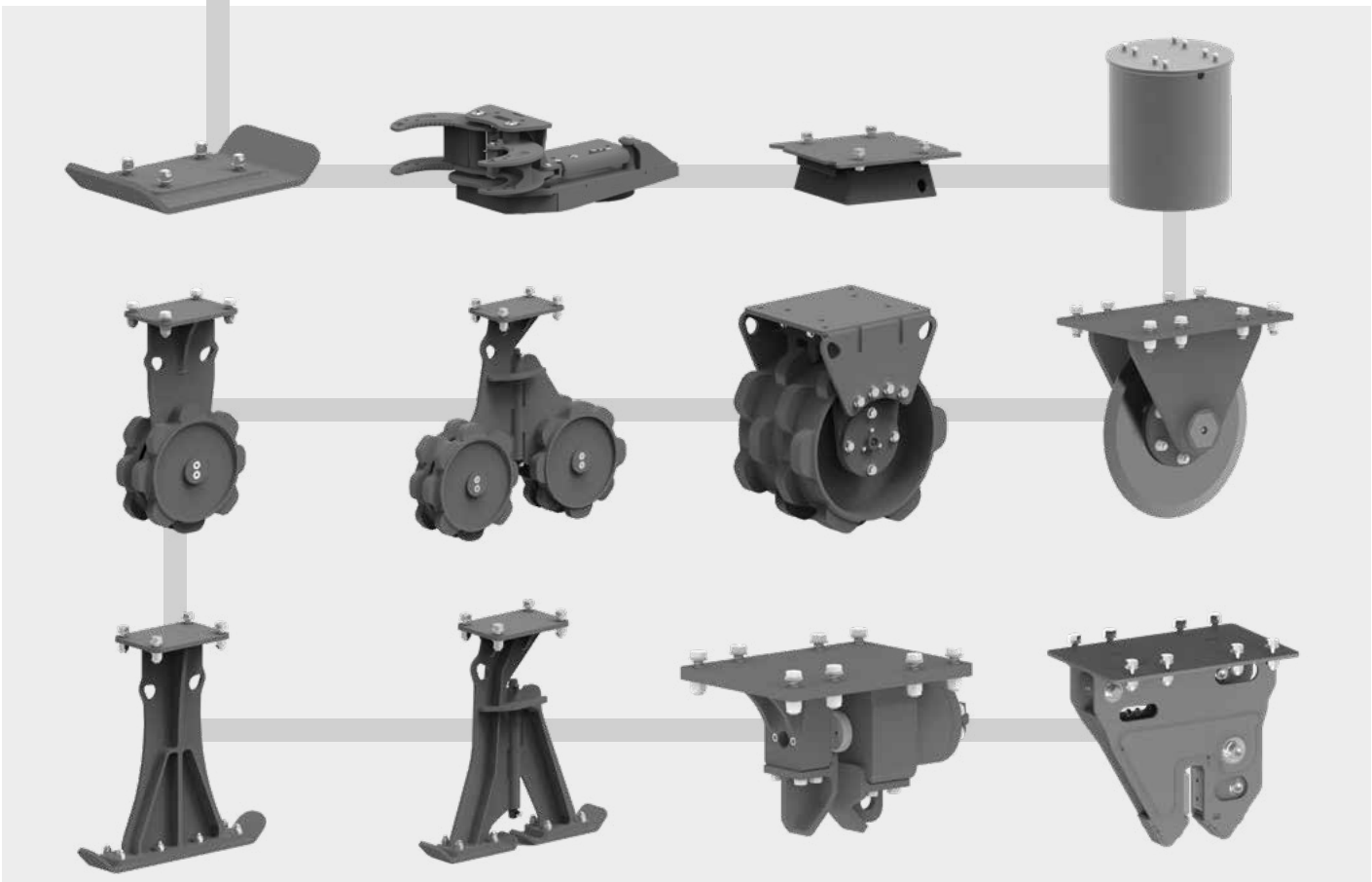
If equipped with a quick coupling, it allows the accessory to be changed extremely rapidly.

 VIDEO





Machine couplers — and PLURY equipment

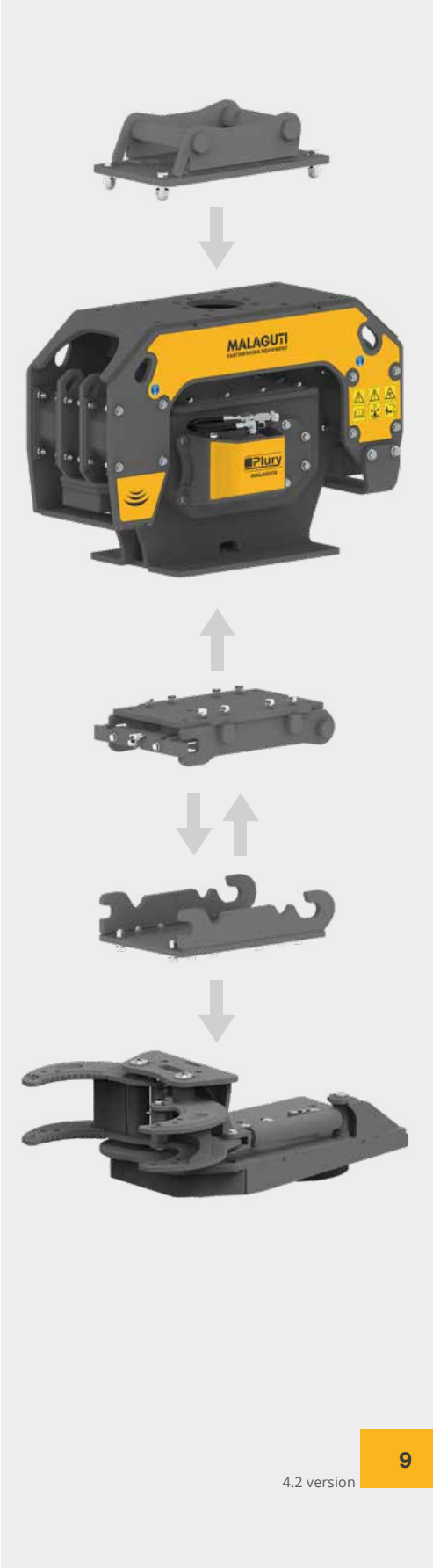


Composition PLURY

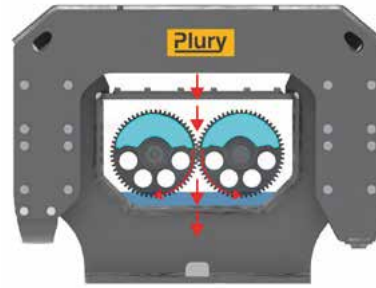
**PLURY
with bolted
equipment**



**PLURY
with equipment
attached via
quick coupler**

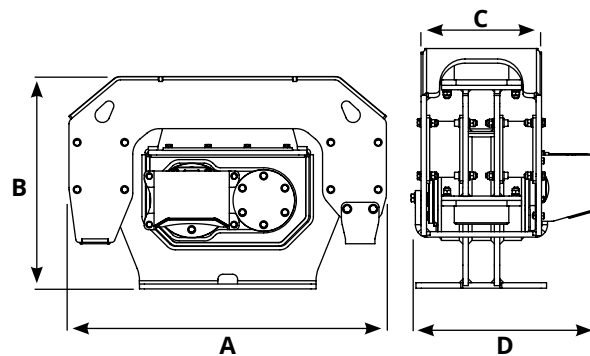


PLURY W2



- vibrating mass
- directional force

Sinusoidal vibration, it vibrates vertically from top to bottom, concentrating the centrifugal force in the centre



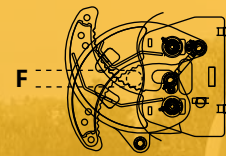
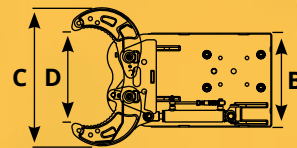
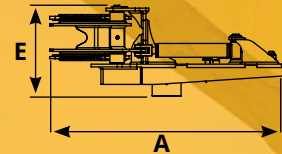
PLURY	W2 60.0	W2 60.0	W2 60.0	W2 80.0	W2 80.0	W2 80.0	W2 100.0	W2 100.0	W2 100.0
	TONS 8.0 - 14.0	TONS 8.0 - 14.0	TONS 8.0 - 14.0	TONS 10.0 - 15.0	TONS 10.0 - 15.0	TONS 10.0 - 15.0	TONS 12.0 - 18.0	TONS 12.0 - 18.0	TONS 12.0 - 18.0
A (mm)	970	970	970	970	970	970	1030	1030	1030
B (mm)	650	650	650	650	650	650	735	735	735
C (mm)	330	330	330	330	330	330	395	395	395
D (mm)	490	490	490	490	490	490	560	560	560
Weight (Kg)	353	353	353	362	362	362	525	525	525
Engine (CC)	32	43	47	32	43	47	43	47	51
Hydraulic Fluid Flow Rate (L/Min)	69	93	101	69	93	101	93	100	110
Pressure (BAR)	150/220	150/220	150/220	150/220	150/220	150/220	150/220	150/220	150/220
Vibration Rate (RPM)	2.133	2.148	2.143	2.133	2.148	2.143	2.143	2.149	2.157
Centrifugal force (Kn)	60	60	60	80	80	80	100	100	100
Hertz	36	36	36	36	36	36	36	36	36
Back press. Max. (BAR)	15	15	15	15	15	15	15	15	15

PLURY	W2 120.0	W2 120.0	W2 120.0	W2 150.0	W2 180.0
	TONS 14.0 - 20.0	TONS 14.0 - 20.0	TONS 14.0 - 20.0	TONS 18.0 - 35.0	TONS 20.0 - 40.0
A (mm)	1030	1030	1030	1220	1220
B (mm)	735	735	735	920	920
C (mm)	395	395	395	440	440
D (mm)	560	560	560	710	710
Weight (Kg)	533	533	533	827	837
Engine (CC)	43	47	51	63	63
Hydraulic Fluid Flow Rate (L/Min)	93	100	110	135	135
Pressure (BAR)	150/220	150/220	150/220	150/220	150/220
Vibration Rate (RPM)	2.143	2.149	2.157	2.143	2.143
Centrifugal force (Kn)	120	120	120	150	180
Hertz	36	36	36	36	36
Back press. Max. (BAR)	15	15	15	15	15



GRAPPLE

WOOD GRAPPLE WITH BELL



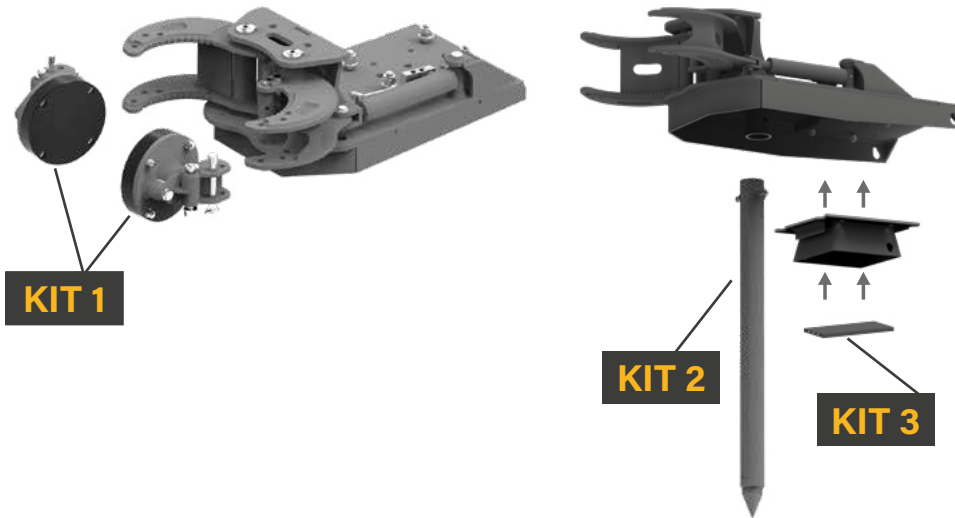
Model	A mm	B mm	C mm	D mm	E mm	F Ø mm	Kg.
GRAPPLE 1/4 ton	810	380	560	375	310	35	75
GRAPPLE 4/6.5 ton	1090	460	665	425	420	55	159
GRAPPLE 7/15 ton	1575	705	870	560	520	140	365
GRAPPLE 8/20 ton	1590	705	870	570	520	140	375
GRAPPLE 18/40 ton	1730	705	870	560	530	140	380

Hydraulic Fluid Flow Rate (L/Min)	10
Pressure (BAR)	200

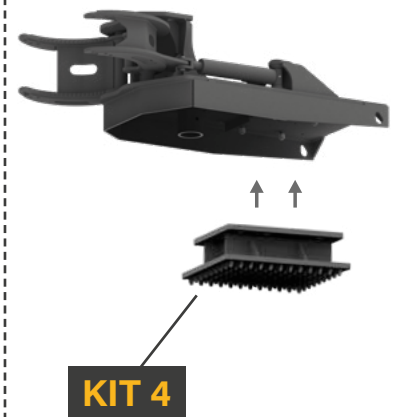
- › Designed for vibro-driving and extraction of wooden, concrete and steel poles
- › Suitable for the containment of landslides, docks, and embankments
- › Construction of vineyards, orchards and fences
- › A fundamental combination that is used in land maintenance and agriculture

OPTIONAL GRAPPLE KIT

OPTIONAL CONCRETE - STEEL



OPTIONAL TOOTH PLATE



- › Kit 1 Grapple accessory suitable for vibro-driving and extraction of concrete and steel poles
 - › Kit 2 Pre-hole drill suitable for making a pre-hole in hard ground Suitable for vibro-driving concrete poles
 - › Kit 3 Shock-absorbing rubber accessory suitable for vibrating concrete poles, avoiding damage to the pole itself
- › Kit 4 Tooth plate mounted in place of the bell for vibro-driving of wooden poles of different diameters

 VIDEO





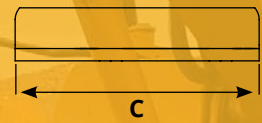
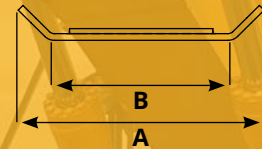






PLATE

COMPACTION PLATE

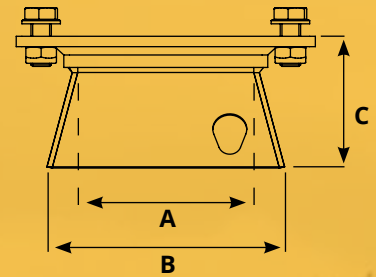


Model	A mm	B mm	C mm	Kg.
PLATE 300 1/4 ton	550	400	300	30
PLATE 400 1/4 ton	550	400	400	40
PLATE 590 1/4 ton	550	400	590	59
PLATE 690 1/4 ton	550	400	690	69
PLATE 400 4/6.5 ton	700	500	400	60
PLATE 500 4/6.5 ton	700	500	500	75
PLATE 690 4/6.5 ton	700	500	690	100
PLATE 790 4/6.5 ton	700	500	790	115
PLATE 890 4/6.5 ton	700	500	890	130
PLATE 550 7/22 ton	1030	820	550	111
PLATE 600 7/22 ton	1030	820	600	121
PLATE 700 7/22 ton	1030	820	700	141
PLATE 890 7/22 ton	1030	820	890	180
PLATE 990 7/22 ton	1030	820	990	200
PLATE 600 12/20 ton	1110	900	600	160
PLATE 700 12/20 ton	1110	900	700	185
PLATE 800 12/20 ton	1110	900	800	205
PLATE 750 18/40 ton	1270	1060	750	220
PLATE 850 18/40 ton	1270	1060	850	250

- › Designed to compact all types of surfaces such as trenches, soils, slopes
- › It guarantees a compact, homogeneous, and stable base that lasts over time
- › Able to compact in very difficult positions

BELL

POLE-CENTRING COLLAR

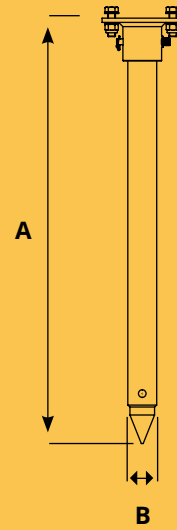


Model	A mm	B mm	C mm	Kg.
BELL 150 - 1/4 ton	150	200	125	12
BELL 200 - 1/4 ton	200	250	125	17
BELL 150 - 4/6.5 ton	150	200	105	11
BELL 200 - 4/6.5 ton	200	250	125	20
BELL 250 - 4/6.5 ton	250	300	145	24
BELL 150 - 7/40 ton	150	200	105	17
BELL 200 - 7/40 ton	200	250	105	20
BELL 250 - 7/40 ton	250	300	125	22
BELL 300 - 7/40 ton	300	350	180	37
BELL 350 - 7/40 ton	350	400	180	43

- › Designed for vibro-driving wooden, concrete and steel poles

T-DRILLING

PRE-DRILL BIT



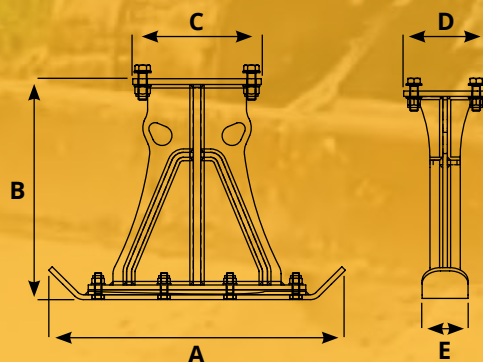
Model	A mm	B mm	Kg.
T-DRILLING + ADAP. 1/6.5 ton	1110	76	29
T-DRILLING + ADAP. 7/20 ton	1110	89	43
T-DRILLING + ADAP. 18/40 ton	1130	101.6	51

- › Pre-drill bit suitable for making a pre-hole in hard ground
- › Suitable for vibro-driving concrete poles



T-PLATE

NARROW PLATE - SINGLE SLED

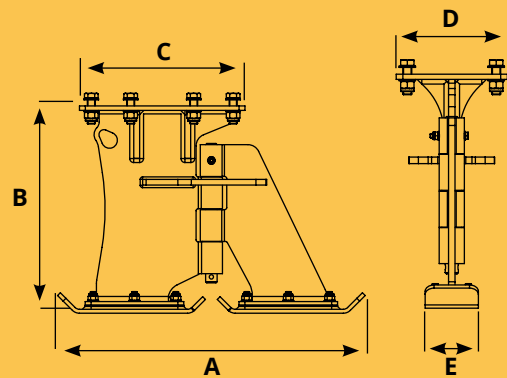


Model	A mm	B mm	C mm	D mm	E mm	Kg.
T-PLATE 100 1/4 ton	600	450	260	180	100	31
T-PLATE 150 1/4 ton	600	450	260	180	150	34
T-PLATE 120 4/6.5 ton	800	550	420	250	120	65
T-PLATE 150 4/6.5 ton	800	550	420	250	150	70
T-PLATE 200 4/6.5 ton	800	550	420	250	200	75
T-PLATE 135 7/40 ton	1050	700	540	360	135	130
T-PLATE 200 7/40 ton	1050	700	540	360	200	150

- › Ideal for compaction works on narrow trenches
- › It allows the plate to reach deep
- › Particularly suitable for fibre grounding and underground services

TWIN PLATE

NARROW PLATE - DOUBLE SLED



Model	A mm	B mm	C mm	D mm	E mm	Kg.
TWIN PLATE 100 1/4 ton	600	480	260	180	100	27
TWIN PLATE 150 1/4 ton	600	480	260	180	150	35
TWIN PLATE 120 4/6.5 ton	780	520	420	250	120	56
TWIN PLATE 150 4/6.5 ton	780	520	420	250	150	64
TWIN PLATE 200 4/6.5 ton	780	520	420	250	200	70
TWIN PLATE 135 7/40 ton	1100	600	540	360	135	120
TWIN PLATE 200 7/40 ton	1100	600	540	360	200	140

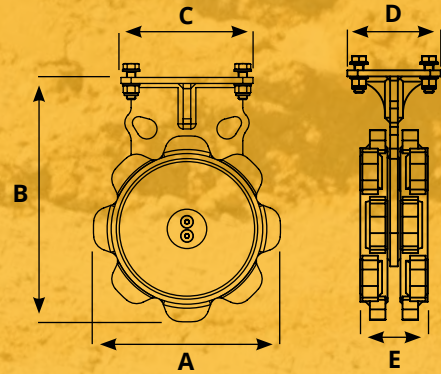
- › Ideal for compaction works on narrow and curved trenches
- › It allows the plate to reach deep
- › Particularly suitable for fibre grounding and underground services

 VIDEO



ONE WHEEL

SINGLE WHEEL

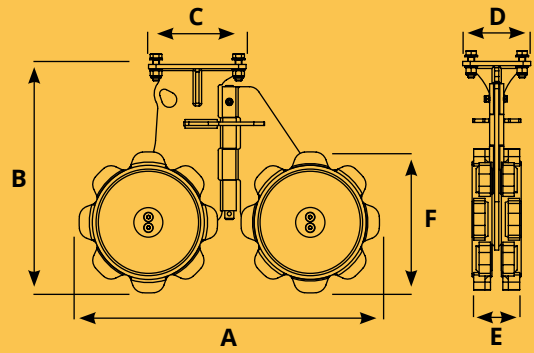


Model	A mm	B mm	C mm	D mm	E mm	Kg.
ONE WHEEL 130 1/4 ton	500	590	260	180	130	46
ONE WHEEL 200 1/4 ton	500	590	260	180	200	58
ONE WHEEL 200 4/6.5 ton	600	715	420	250	200	95
ONE WHEEL 300 4/6.5 ton	600	715	420	250	300	110
ONE WHEEL 270 7/40 ton	710	830	540	360	270	212
ONE WHEEL 350 7/40 ton	710	830	540	360	350	243

- › Ideal for compaction works on narrow trenches
- › It allows the wheel to reach deep
- › Particularly suitable for fibre grounding and underground services

TWIN WHEEL

DOUBLE WHEEL



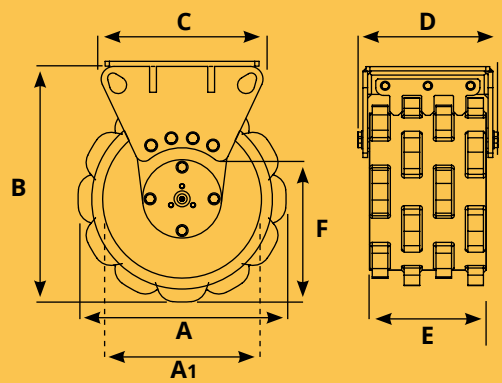
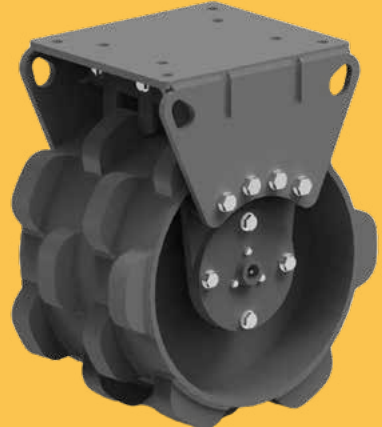
Model	A mm	B mm	C mm	D mm	E mm	F mm	Kg.
TWIN WHEEL 130 1/4 ton	805	596	260	370	130	370	86
TWIN WHEEL 200 1/4 ton	805	596	260	370	200	370	115
TWIN WHEEL 200 4/6.5 ton	1065	715	420	250	200	480	185
TWIN WHEEL 300 4/6.5 ton	1065	715	420	250	300	480	230
TWIN WHEEL 270 7/40 ton	1540	890	540	360	270	710	408
TWIN WHEEL 350 7/40 ton	1540	890	540	360	350	710	442

- › Ideal for compaction works on narrow and curved trenches
- › It allows the wheel to reach deep
- › Particularly suitable for fibre grounding and underground services



STORM WHEEL

WHEEL COMPACTOR



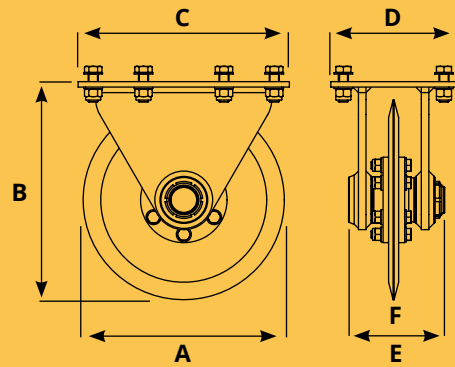
Model	A mm	A1 mm	B mm	C mm	D mm	E mm	F mm	Kg.
STORM 40 L200 1/4 ton	505	400	595	420	260	200	341	115
STORM 40 L300 1/4 ton	505	400	595	360	360	300	341	140
STORM 40 L400 1/4 ton	505	400	595	280	460	400	341	165
STORM 40 L500 1/4 ton	505	400	595	280	560	500	341	191
STORM 50 L300 4/6.5 ton	615	500	700	430	370	300	393	206
STORM 50 L400 4/6.5 ton	615	500	700	430	470	400	393	235
STORM 50 L500 4/6.5 ton	615	500	700	430	570	500	393	272
STORM 50 L600 4/6.5 ton	615	500	700	430	670	600	393	302
STORM 65 L400 7/40 ton	790	650	895	540	485	400	527	363
STORM 65 L600 7/40 ton	790	650	895	540	685	600	527	458
STORM 65 L800 7/40 ton	790	650	895	540	885	800	527	555
STORM 90 L600 18/40 ton	1045	900	1170	600	700	600	728	662
STORM 90 L800 18/40 ton	1045	900	1170	600	900	800	728	775
STORM 90 L1000 18/40 ton	1045	900	1170	600	1100	1000	728	895

- > ideal for compaction works
- > Ideal for compacting the surface and the backfill material in the excavation
- > The equipment ensures a solid, homogeneous and long-lasting surface



ASPHALT CUTTER

ASPHALT CUTTER



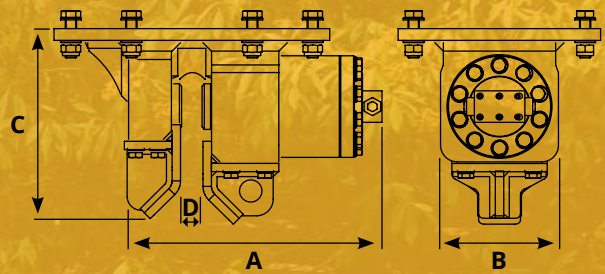
Model	A mm	B mm	C mm	D mm	E mm	F mm	Kg.
ASPHALT CUTTER 400 4/6.5 ton	400	440	420	250	115	12	56
ASPHALT CUTTER 500 7/40 ton	500	540	540	360	140	12	107

- › Ideal for cutting asphalt before digging a trench



SHEET PILE CLAMP

SHEET PILE CLAMP

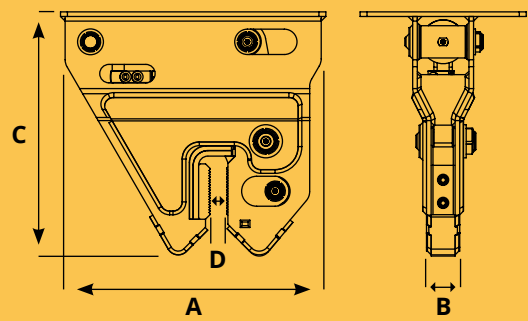


Model	A mm	B mm	C mm	D mm	Press. Bar	Force max press	Kg.
SHEET PILE CLAMP 25 GRIP	455	210	350	32	200	23 Ton	170
					250	23 Ton	

- › Clamp suitable for vibrodriving and extracting sheet piles in different types of soil
- › Ideal for vibrating steel cages immersed in concrete

H-BEAM CLAMP

H-BEAM CLAMP

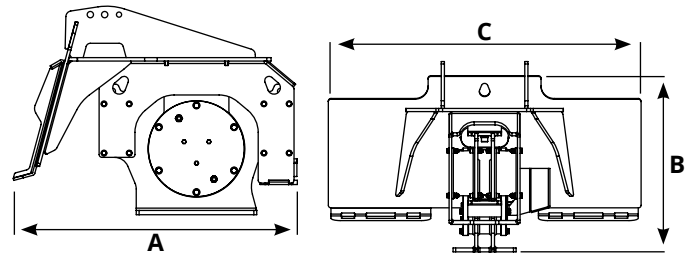


Model	A mm	B mm	C mm	D mm	Press. Bar	Force max press	Kg.
H-BEAM CLAMP 20 GRIP	580	72	430	35	200	20 Ton	95
					250	23 Ton	

- › Ideal for compacting the surface and the backfill material in the excavation

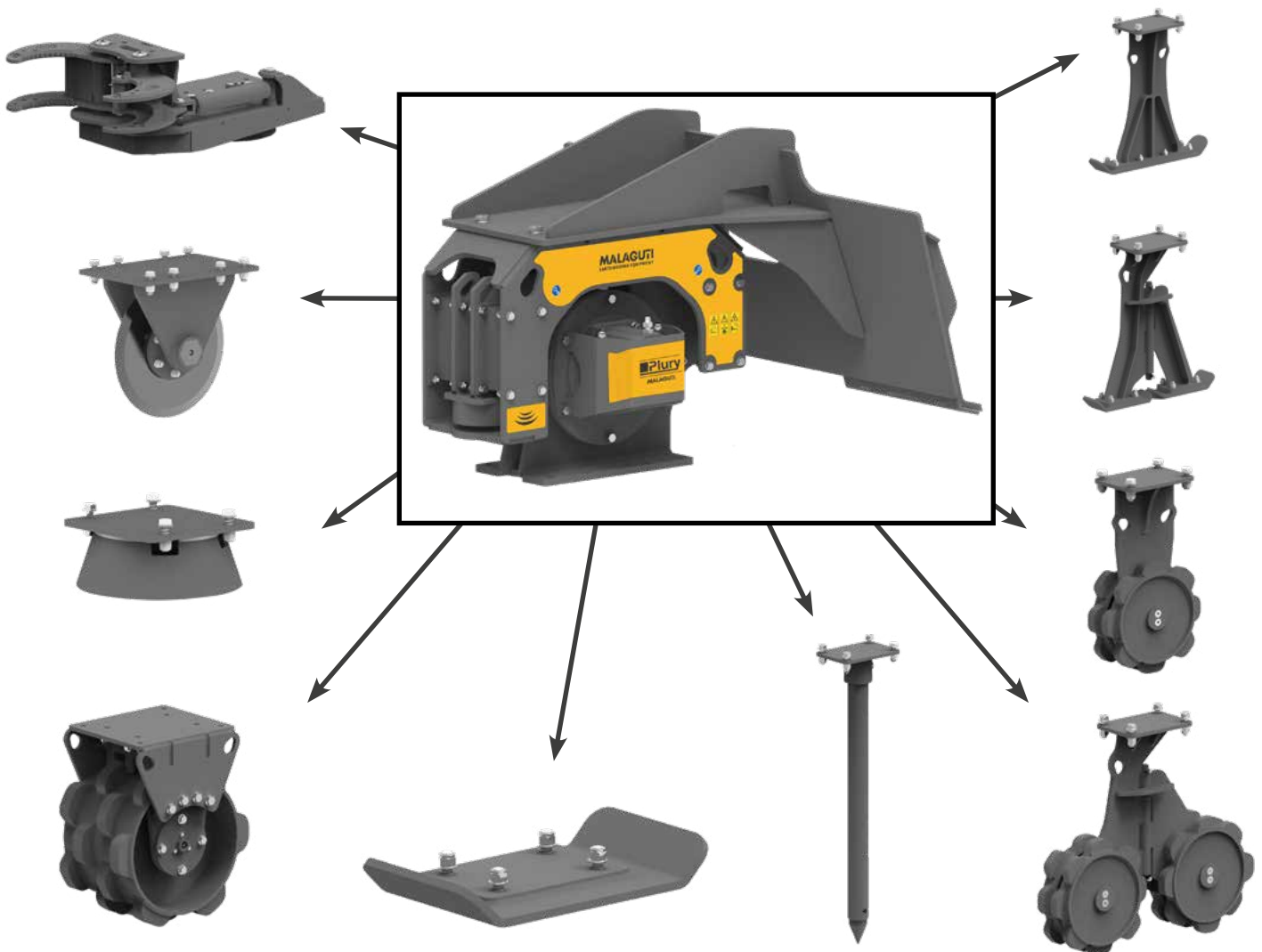


FRONT-MOUNTED PLURY



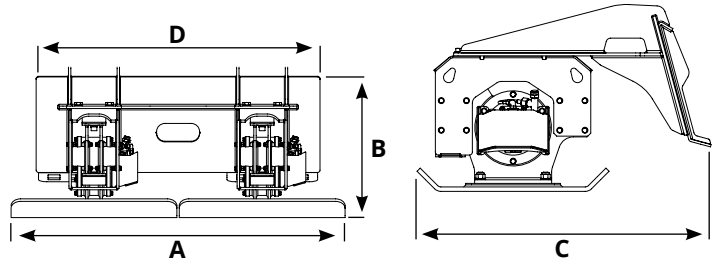
- › By using the Plury front coupler, the power unit can be utilized on work machines such as skid loaders, mini skid loaders, and mini wheel loaders

Model	A mm	B mm	C mm	Kg.
PLURY F W1 15.0	796	566	1190	195
PLURY F W1 27.0	847	673	1190	302
PLURY F W1 40.0	847	673	1190	305
PLURY F W1 65.0	1005	805	1190	480
PLURY F W1 95.0	1005	805	1190	490
PLURY F W2 60.0	1005	805	1190	503
PLURY F W2 80.0	1005	805	1190	512



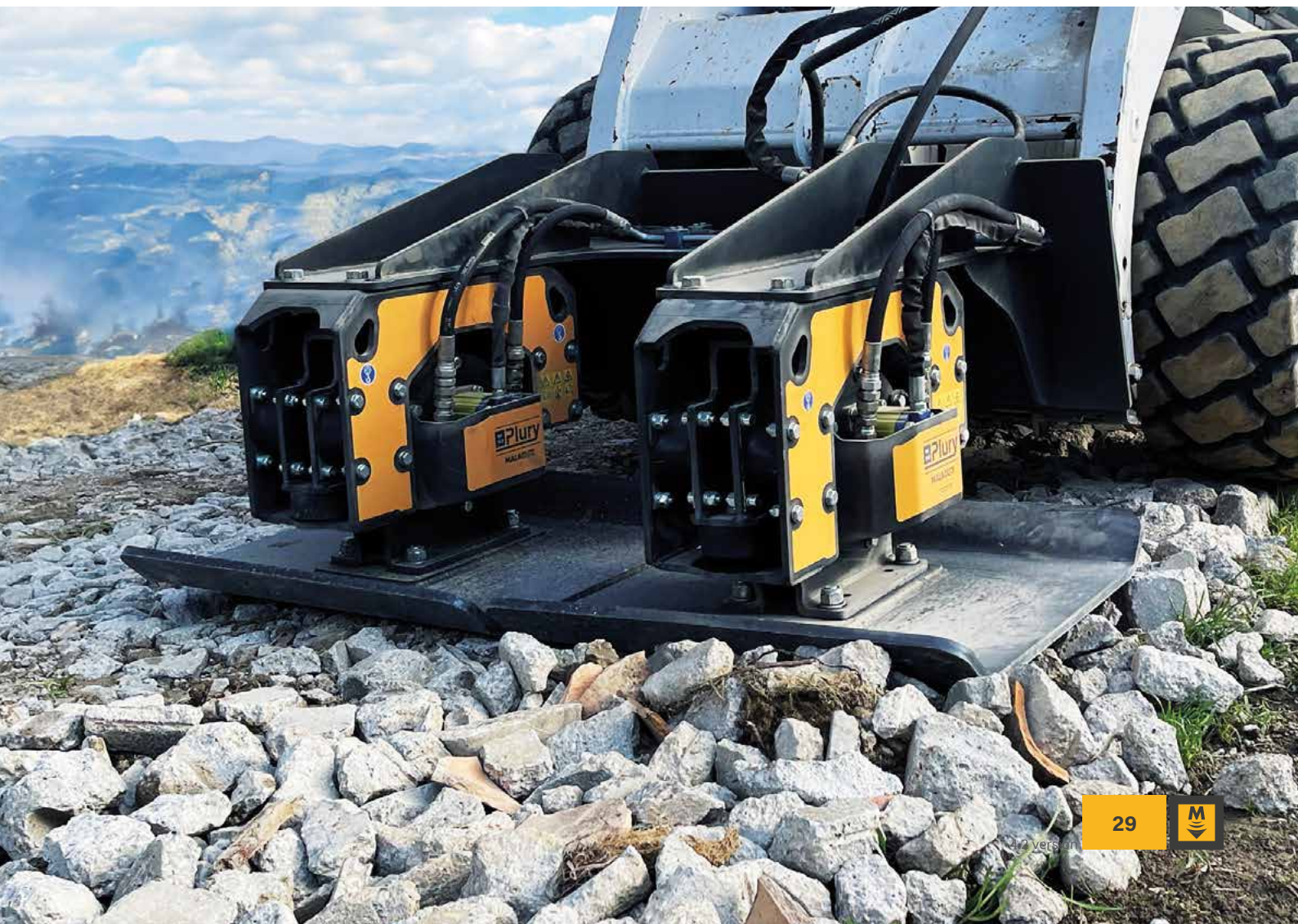


FRONT-MOUNTED DOUBLE COMPACTION PLATE



- › The front mounted compaction plate allows you to compact a large area faster
- › Suitable for compacting yards, cycle paths, etc.

Model	A mm	B mm	C mm	D mm	Kg.
PLURY KN 9+9 120	1200	525	990	1190	400
PLURY KN 9+9 140	1400	525	990	1190	420
PLURY KN 15+15 140	1400	630	1000	1190	485
PLURY KN 15+15 160	1600	630	1000	1190	505
PLURY KN 27+27 160	1600	730	1150	1190	790
PLURY KN 27+27 180	1800	730	1150	1190	820
PLURY KN 40+40 180	1800	730	1150	1190	825
PLURY KN 40+40 200	2000	730	1150	1190	885
PLURY KN 65+65 200	2000	840	1250	1190	1290
PLURY KN 65+65 220	2200	840	1250	1190	1330

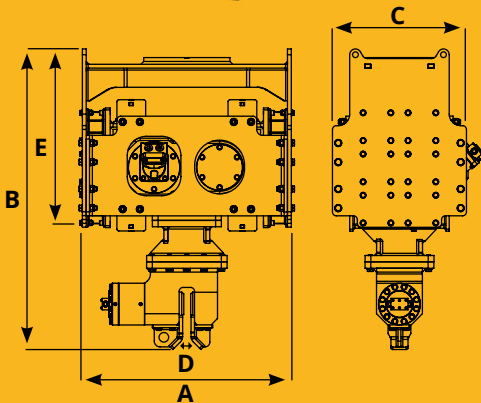
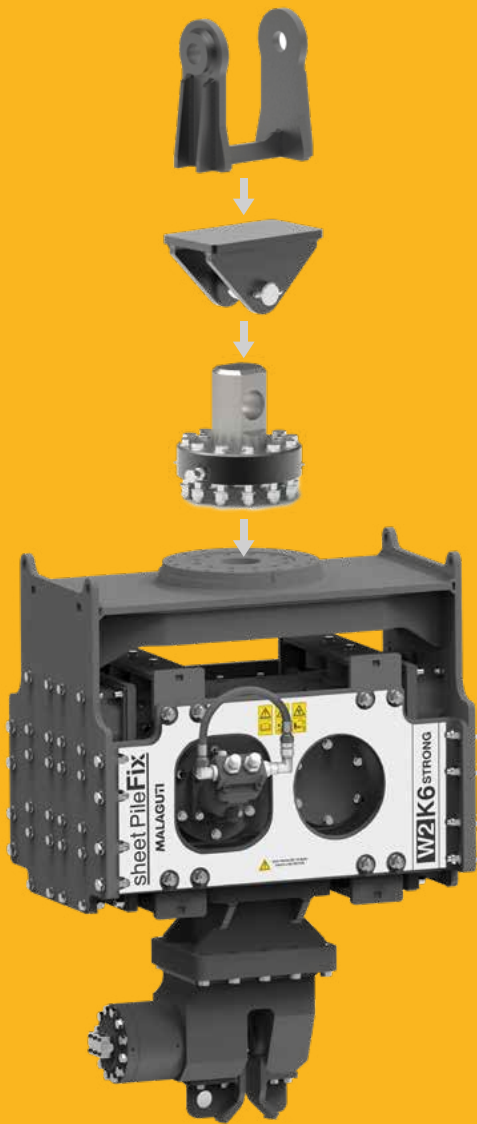




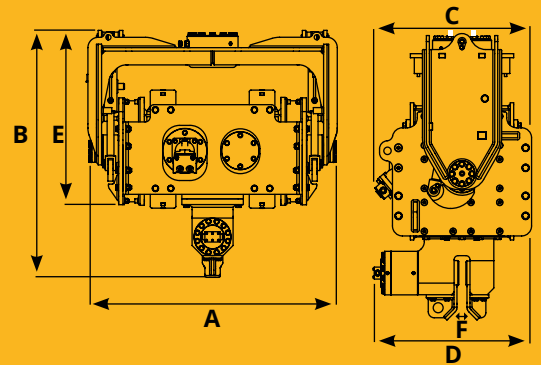
 **sheetPile
Fix**

**VIBRODRIVER
FOR SHEET PILES**

**Clamp suitable
for vibrodriving
and extracting
sheet piles in different types
of soil.**



SHEET PILEFIX	W2 K4 STRONG	W2 K6 STRONG
A (mm)	1210	1210
B (mm)	1570	1570
C (mm)	780	780
D (mm)	36	36
E (mm)	940	940
Weight (Kg)	1460	1480
Engine (CC)	63	63
Hydraulic Fluid Flow Rate (L/Min)	145	145
Pressure (BAR)	200/300	200/300
Vibration Rate (RPM)	2.300	2.300
Centrifugal force (Kn)	250	360
Kilogrammeters (KGM)	4,3	6,2
Hertz	38	38



SHEET PILEFIX	W2 K4 TILT	W2 K6 TILT
A (mm)	1460	1460
B (mm)	1260	1260
C (mm)	790	790
D (mm)	800	800
E (mm)	1030	1030
F (mm)	36	36
Weight (Kg)	1660	1680
Engine (CC)	63	63
Hydraulic Fluid Flow Rate (L/Min)	145	145
Pressure (BAR)	200/300	200/300
Vibration Rate (RPM)	2.300	2.302
Centrifugal force (Kn)	250	360
Kilogrammeters (KGM)	4,3	6,2
Hertz	38	38





sheet PileFix
MALAGUTI



TORNADO

STUMP GRINDER

Direct transmission

The direct drive system with piston motor delivers the highest cutting speed and thus optimal productivity and efficiency

Tungsten carbide teeth

Extremely resistant tungsten teeth

Suitable on difficult gradients

Effective even on difficult gradients, ideal for grinding even stumps with problematical access

Quick and effective

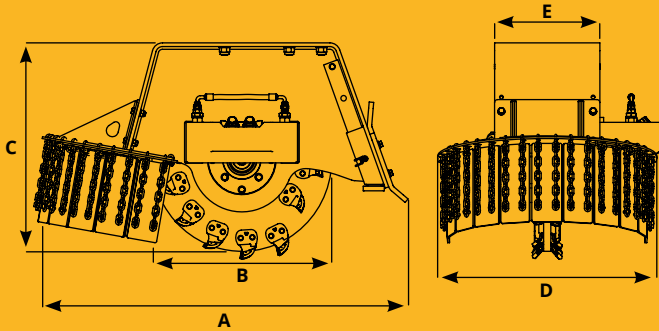
The shredding wheel swings from side to side and gradually eats into the stump until it has been eliminated

TORNADO





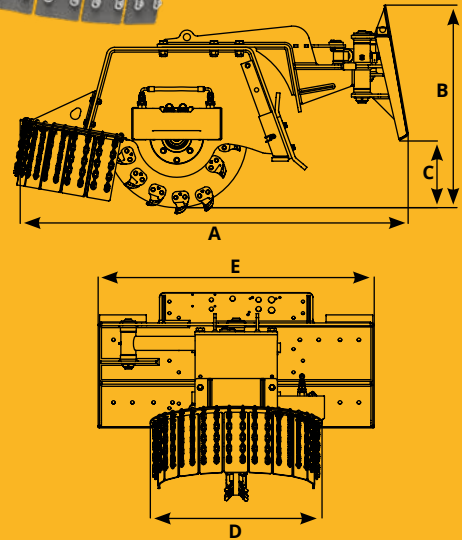
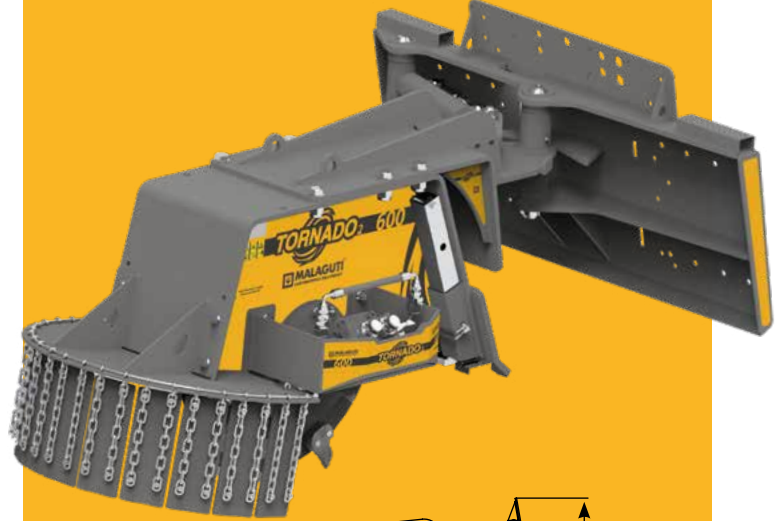
TORNADO 2 EXCAVATOR BACKHOE LOADER



TORNADO 2	Tornado 2 350	Tornado 2 450	Tornado 2 600	Tornado 2 600 PLUS
TONS	1.5 - 4.0	4.0 - 9.0	9.0 - 13.0	13.0 - 18.0
A (mm)	830	970	1230	1230
B (Ømm)	350	450	600	600
C (mm)	430	540	710	710
D (mm)	610	610	730	730
E (mm)	350	350	350	350
Engine (CC)	12 18 25 28 32	25 28 32	45 50 63	80
Hydraulic Fluid Flow Rate (L/Min)	16 24 32 36 42	32 36 42	56 64 80	110
Weight (Kg)	116	170	278	278
Teeth number	16	20	28	28
Pressure (BAR)	250	250	250	250
Back press. Max. (BAR)	15	15	15	15



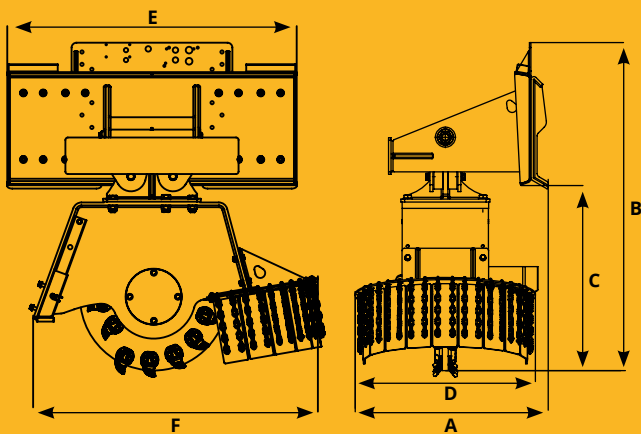
TORNADO 2F SWINGING SKID LOADER WHEEL LOADER



TORNADO 2F	Tornado 2F 350	Tornado 2F 450	Tornado 2F 600	Tornado 2F 600 PLUS
A (mm)	1435	1490	1650	1650
B (mm)	595	695	860	860
C (mm)	20	120	285	285
D (mm)	610	610	730	730
E (mm)	1170	1170	1170	1170
Engine (CC)	12 18 25 28 32	25 28 32	45 50 63	80
Hydraulic Fluid Flow Rate (L/Min)	16 24 32 36 42	32 36 42	56 64 80	110
Weight (Kg)	246	300	408	408
Teeth number	16	20	28	28
Pressure (BAR)	250	250	250	250
Back press. Max. (BAR)	15	15	15	15



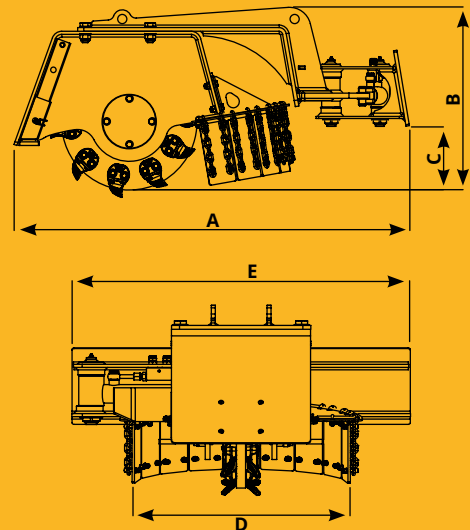
TORNADO 2FT TRANSVERSAL



TORNADO 2FT	Tornado 2FT 350	Tornado 2FT 450	Tornado 2FT 600	Tornado 2FT 600 PLUS
A (mm)	650	715	780	780
B (mm)	1060	1160	1325	1325
C (mm)	480	570	750	750
D (mm)	410	610	730	730
E (mm)	1170	1170	1170	1170
F (mm)	760	900	1150	1150
Engine (CC)	12 18 25 28 32	25 28 32	45 50 63	80
Hydraulic Fluid Flow Rate (L/Min)	16 24 32 36 42	32 36 42	56 64 80	110
Weight (Kg)	246	300	408	408
Teeth number	16	20	28	28
Pressure (BAR)	250	250	250	250
Back press. Max. (BAR)	15	15	15	15



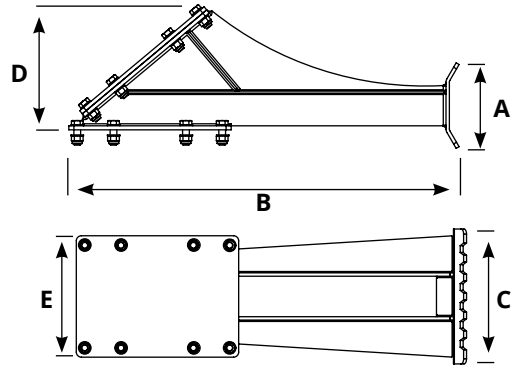
TORNADO 2FM SWINGING MINI SKID



TORNADO 2FM	Tornado 2M 350	Tornado 2FM 450
A (mm)	1210	1230
B (mm)	490	590
C (mm)	100	200
D (mm)	580	580
E (mm)	850	820
Engine (CC)	12 18 25 28 32	25 28 32
Hydraulic Fluid Flow Rate (L/Min)	16 24 32 36 42	32 36 42
Weight (Kg)	166	220
Teeth number	16	20
Pressure (BAR)	250	250
Back press. Max. (BAR)	15	15



FOOT FOR TORNADO



- › The foot mounted on the Tornado is essential as support for maneuvering with the spider excavator

Model	A mm	B mm	C mm	D mm	Kg.
TORNADO SUPPORT FOOT	254	1155	400	365	100







 **VORTEX**

AUGER

Auger Highly versatile

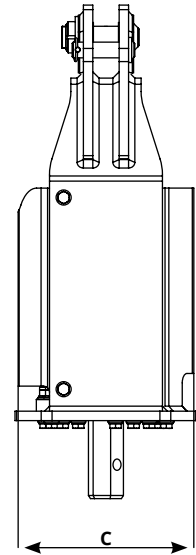
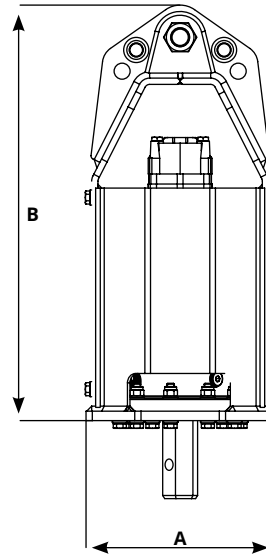
The drill can be equipped with different types of tips and extension cords that allow to carry out various jobs, from the drilling of the ground, until the crushing of roots and tree stumps

VORTEX

 VIDEO



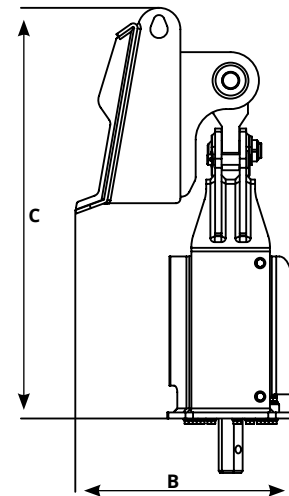
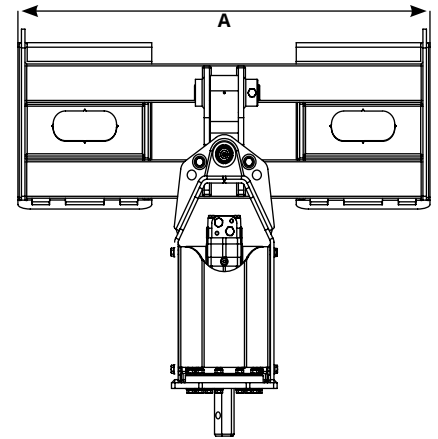
VORTEX 2



Tons	1.0 - 1.8	1.8 - 2.2	2.0 - 3.0	3.0 - 4.5	4.0 - 6.0	6.0 - 7.5	7.0 - 10.0	10.0 - 15.0	15.0 - 20.0
MODEL	V1	V2	V3	V4	V5	V6	V7	V8	V9
A (mm)	235	235	235	300	300	360	360	410	410
B (mm)	475	475	475	660	660	780	780	950	950
C (mm)	230	230	230	290	290	350	350	430	430
WRENCH	50	50	50	50	50	70	70	70	70
Without coupling weight Kg	59	62	62	100	105	180	180	260	283
Hydraulic Fluid Flow Rate (L/Min)	20-30	25-40	30-50	40-60	50-70	60-80	80-90	90-120	110-150
Pressure Bar	200	200	200	200	200	200	200	230	230
Torque Max. N/M	1.200	1.600	2.500	3.500	4.500	6.200	8.000	10.000	15.000



VORTEX 2F

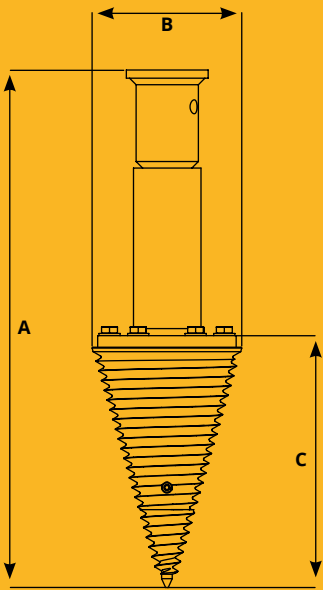


MODEL	V1	V2	V3	V4	V5
A (mm)	1170	1170	1170	1170	1170
B (mm)	470	470	470	500	500
C (mm)	750	750	750	935	935
WRENCH	50	50	50	50	50
With coupling weight (Kg)	244	247	247	285	290
Hydraulic Fluid Flow Rate (L/Min)	20-30	25-40	30-50	40-60	50-70
Pressure Bar	200	200	200	200	200
Torque Max. N/M	1.200	1.600	2.500	3.500	4.500

MODEL	V6	V7	V8	V9
A (mm)	1170	1170	1170	1170
B (mm)	530	530	570	570
C (mm)	1055	1055	1225	1225
WRENCH	70	70	70	70
With coupling weight (Kg)	365	365	445	468
Hydraulic Fluid Flow Rate (L/Min)	60-80	80-90	90-120	110-150
Pressure Bar	200	200	230	230
Torque Max. N/M	6.200	8.000	10.000	15.000

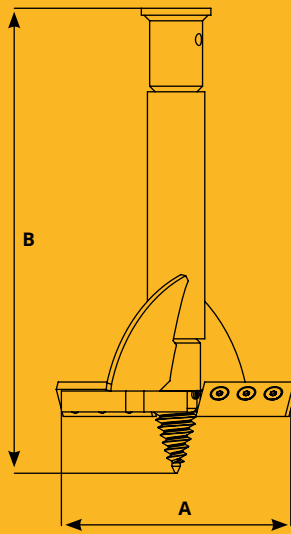


LOG SPLITTER CONICAL BIT



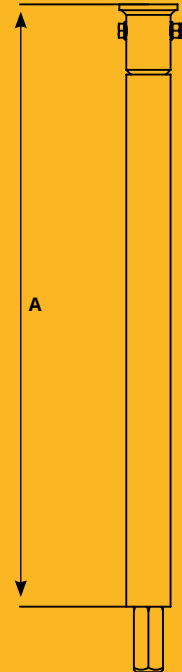
WRENCH	50	70
MODEL	V1 - V2 - V3 V4 - V5	V6 - V7 - V8 V9
A (mm)	550	775
B (mm)	170	220
C (mm)	305	390
Kg	23	48

STUMP GRINDER BIT



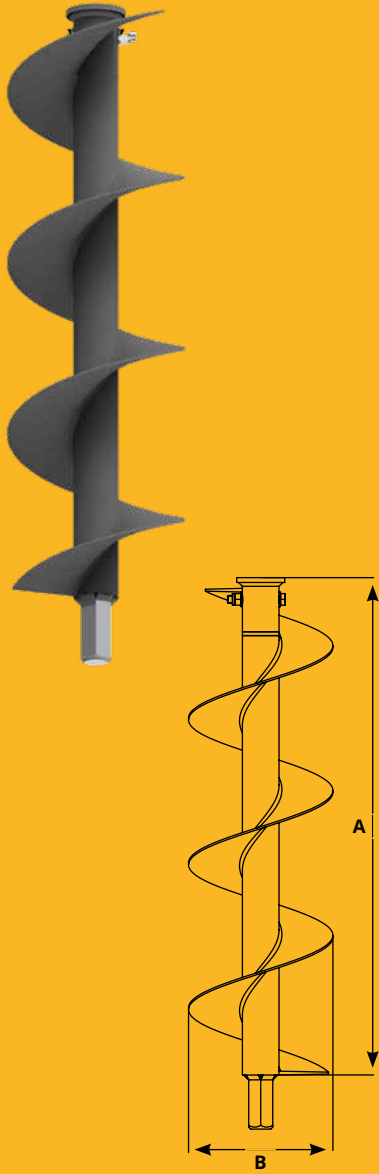
WRENCH	50	70
MODEL	V1 - V2 - V3 V4 - V5	V6 - V7 - V8 V9
A (mm)	330	330
B (mm)	670	700
C (mm)	20	23
Kg	29	33

BIT SHAFT EXTENSIONS



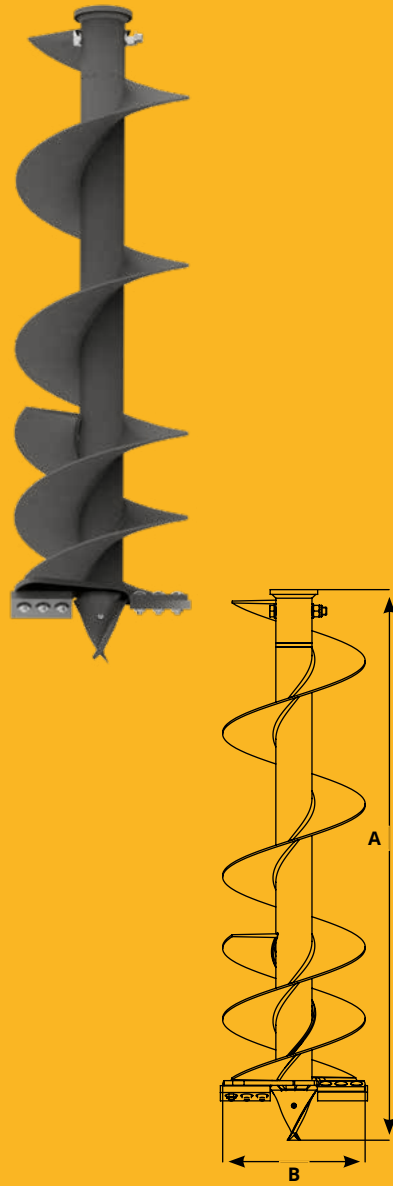
WRENCH	50	70
MODEL	V1 - V2 - V3 V4 - V5	V6 - V7 - V8 V9
1000 (mm)	✓	✓
1500 (mm)	✓	✓
2000 (mm)	✓	✓

BIT EXTENSIONS WITH SPIRAL



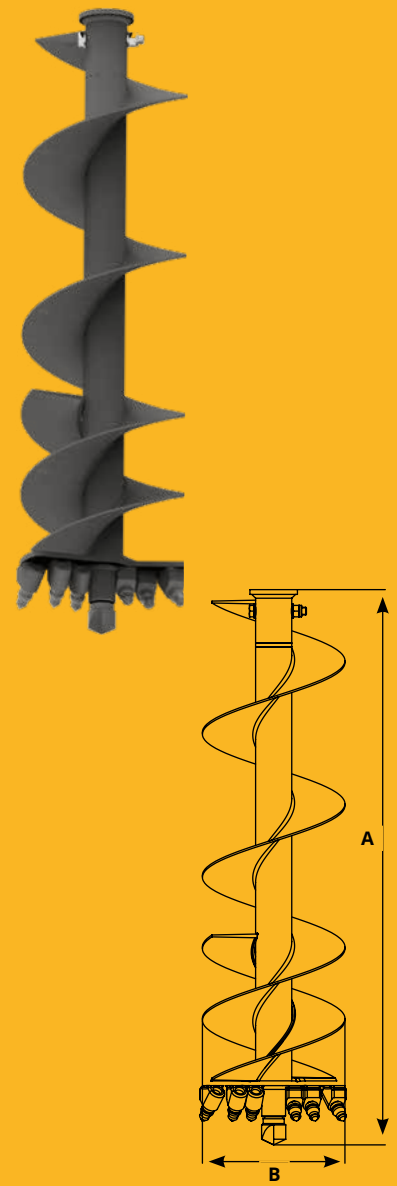
MODEL	V1 - V2 - V3 V4 - V5	V6 - V7 - V8 V9
WRENCH	50	70
SIZE	(A) 1000mm	(A) 2000mm
(B) 100 (mm)	✓	✓
(B) 150 (mm)	✓	✓
(B) 200 (mm)	✓	✓
(B) 250 (mm)	✓	✓
(B) 300 (mm)	✓	✓
(B) 350 (mm)	✓	✓
(B) 400 (mm)	✓	✓
(B) 450 (mm)	✓	✓
(B) 500 (mm)	✓	✓
(B) 600 (mm)	✓	✓

LAND BIT



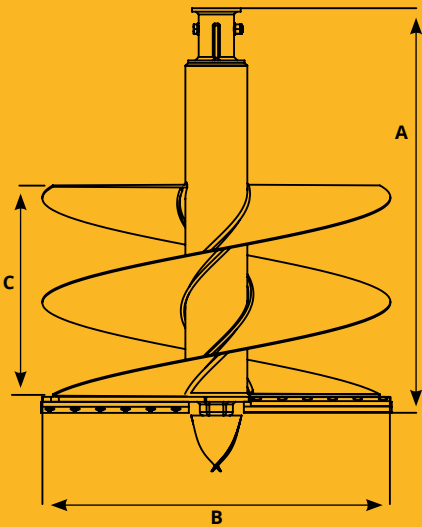
MODEL	V1 - V2 - V3 V4 - V5	V6 - V7 - V8 V9
WRENCH	50	70
SIZE	(A) 1000mm	(A) 2000mm
(B) 100 (mm)	✓	✓
(B) 150 (mm)	✓	✓
(B) 200 (mm)	✓	✓
(B) 250 (mm)	✓	✓
(B) 300 (mm)	✓	✓
(B) 350 (mm)	✓	✓
(B) 400 (mm)	✓	✓
(B) 450 (mm)	✓	✓
(B) 500 (mm)	✓	✓
(B) 600 (mm)	✓	✓

ROCK BIT

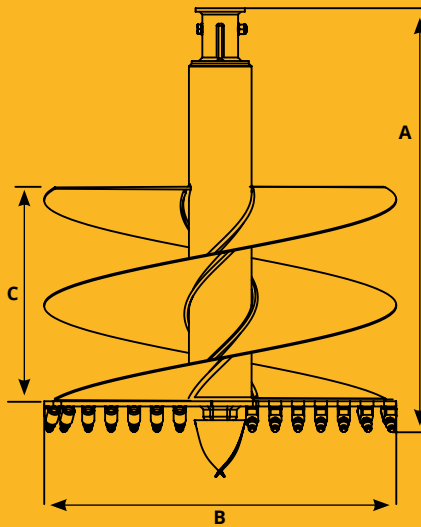


MODEL	V1 - V2 - V3 V4 - V5	V6 - V7 - V8 V9
WRENCH	50	70
SIZE	(A) 1000mm	(A) 2000mm
(B) 100 (mm)	✓	✓
(B) 150 (mm)	✓	✓
(B) 200 (mm)	✓	✓
(B) 250 (mm)	✓	✓
(B) 300 (mm)	✓	✓
(B) 350 (mm)	✓	✓
(B) 400 (mm)	✓	✓
(B) 450 (mm)	✓	✓
(B) 500 (mm)	✓	✓
(B) 600 (mm)	✓	✓

LAND BIT EXTRA



ROCK BIT EXTRA



SINGLE PIN ATTACHMENT



MODEL	V1 - V2 - V3 V4 - V5	V6 - V7 - V8 V9
WRENCH	⌀ 50	⌀ 70
SIZE	(A) 1000mm	(A) 1000mm
(B) 800 (mm) (C) 600 (mm)	✓	✓
(B) 1000 (mm) (C) 600 (mm)	✓	✓

MODEL	V1 - V2 - V3 V4 - V5	V6 - V7 - V8 V9
WRENCH	⌀ 50	⌀ 70
SIZE	(A) 1000mm	(A) 1000mm
(B) 800 (mm) (C) 600 (mm)	✓	✓
(B) 1000 (mm) (C) 600 (mm)	✓	✓

MODEL	V1 - V2 - V3 V4 - V5	V6 - V7 - V8 V9
Kg	15	40

DOUBLE JOINT ATTACHMENT



HORIZONTAL ATTACHMENT



RIGID ATTACHMENT



MODEL	V1	V2 V3	V4 V5	V6	V7 V8 V9
Kg	25	26	35	65	86

MODEL	V1	V2 V3	V4 V5	V6	V7 V8 V9
Kg	31	32	40	75	96

MODEL	V1	V2 V3	V4 V5	V6	V7 V8 V9
Kg	15	16	25	33	55



VIBRATING ROLLER COMPACTOR

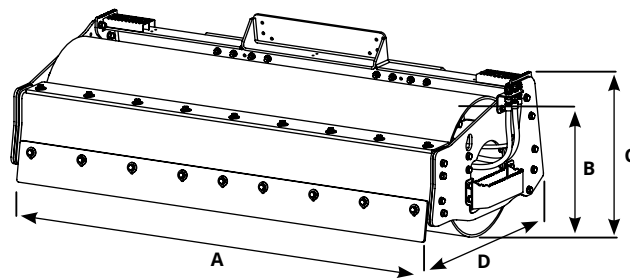
Great compaction force

suitable for road works and construction of pavings and cycle paths, it guarantees a solid and homogeneous base

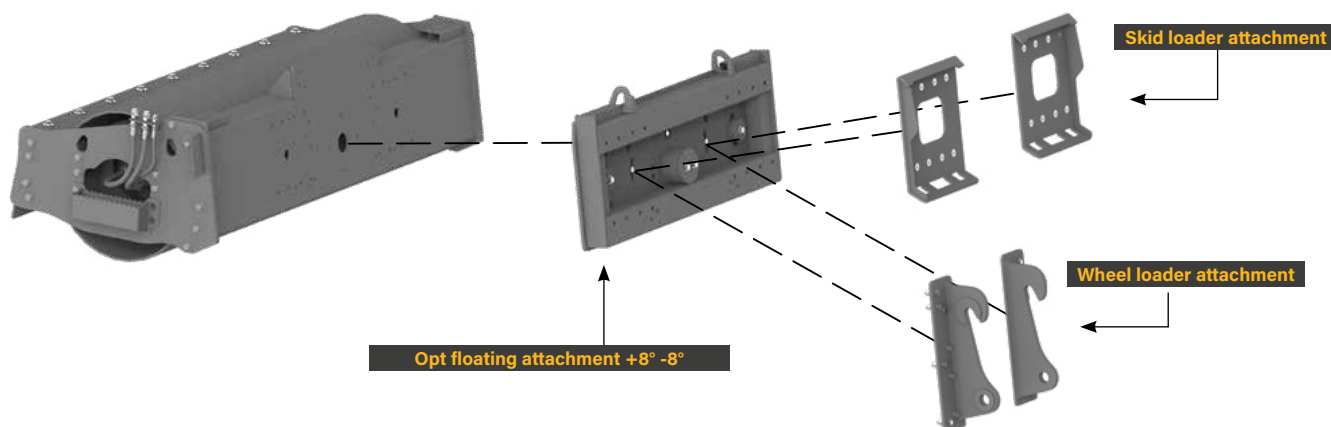
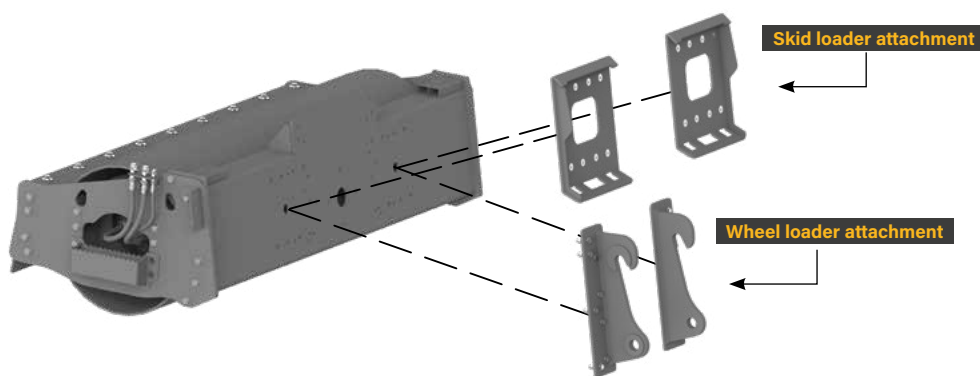
Available in four widths

the vibrating single roller is available in four widths and includes front attachment

ROLLER VRM

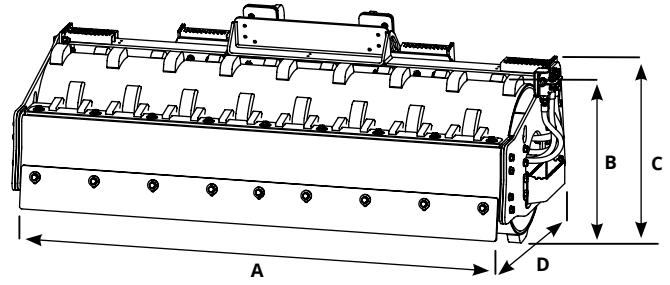
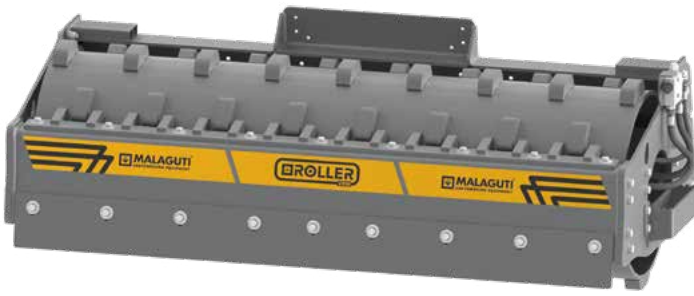


ROLLER	VRM120	VRM140	VRM160	VRM180	VRM200
A (mm)	1200	1400	1600	1800	2000
B (mm)	560	560	610	610	610
C (mm)	605	605	700	700	700
D (mm)	860	860	970	970	970
Without coupling weight Kg	440	585	810	890	960
Engine (CC)	11 14 17 22	14 17 22 26	17 22 26 30	17 22 26 30	17 22 26 30
Hydraulic Fluid Flow Rate (L/Min)	24 32 38 51	36 42 57 66	42 57 66 75	42 57 66 75	40 55 63 72
Vibration rate (RPM)	2.000 2.000 2.000 2.000	2.250 2.250 2.250 2.250	2.250 2.250 2.250 2.250	2.250 2.250 2.250 2.250	2.150 2.150 2.150 2.150
Centrifugal Force (Kn)	5,5	6,8	8	8	11

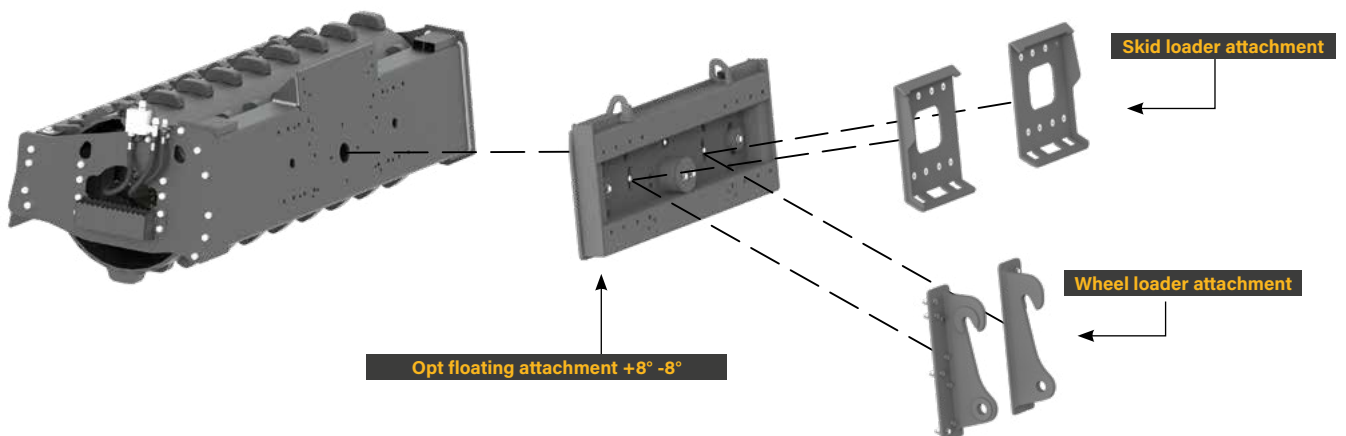
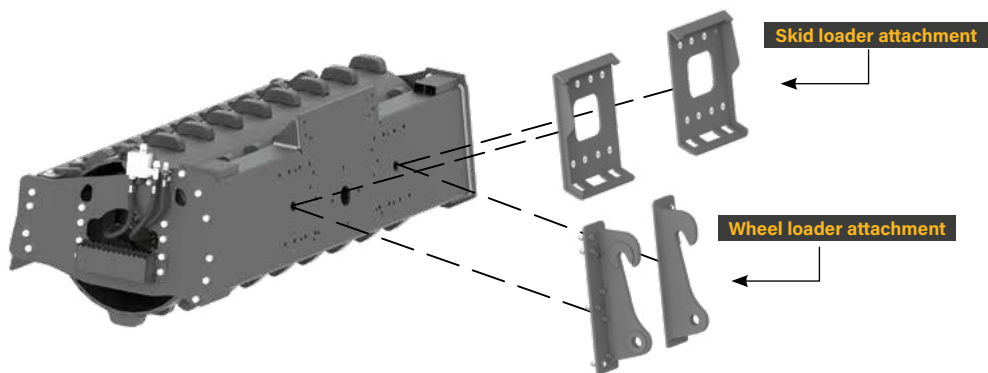


ROLLER VRM

PAD FOOT DRUM



ROLLER	VRM160	VRM180	VRM200
A (mm)	1600	1800	2000
B (mm)	750	750	750
C (mm)	700	700	700
D (mm)	970	970	970
Without coupling weight Kg	951	1053	1147
Engine (CC)	17 22 26 30	17 22 26 30	17 22 26 30
Hydraulic Fluid Flow Rate (L/Min)	42 57 66 75	42 57 66 75	40 55 63 72
Vibration rate (RPM)	2.250 2.250 2.250 2.250	2.250 2.250 2.250 2.250	2.150 2.150 2.150 2.150
Centrifugal Force (Kn)	8	8	11





MALAGUTI
EARTHMOVING EQUIPMENTS

cohidrex

www.cohidrex.com



☎ +34 628 130 845

✉ info@cohidrex.es

MADRID

Pol. Ind. La Raya • C/ Guadalquivir, 2
E28816 Camarma de Esteruelas

Madrid (Espagne)

☎ +34 91 802 12 91

CÁCERES

Pol. Industrial Las Capellanías
C/ Alpargateros, 1

E10005 Cáceres (Espagne)

☎ +34 927 230 834

LA CORUÑA

LT51 Workspace • Oficina 1A
La Telva 2 C, Pt. 1

E15660 Cambre • La Coruña (Espagne)

☎ +34 666 572 640